



QuietQube® S-3070C Remote Ice Cube Machine

Air-cooled Ice Cube Machine with Patented CVD Technology®

Model

- SD-3072C SY-3074C



S-3070C Ice Machine - 115V



CVD Condensing Unit - 208-230/60/3

Standard Features

- **Quadzilla™ Evaporator System**– places four high-output individual evaporators in a compact 48" (121.92 cm) wide ice maker for up to 2,910 lbs. (1,320 kgs.) daily ice production.
- Up to CEE Tier 3 energy and water efficiency rating.
- Quiet operation. Remotely located compressor eliminates most noise from the refrigeration system. Promotes relaxing atmosphere.
- Patented CVD® technology improves reliability and extends life of the compressor.
- Stainless steel tubular frame construction - for added strength and durability.
- Stainless steel exterior for superior corrosion resistance and durability.
- Not to be used in stacking configurations.

Warranty

- 5-year parts and 5-year labor coverage on ice machine evaporator.
- 5-year parts and 3-year labor coverage on ice machine compressor.
- 3-year parts-and-labor coverage on all other ice machine, dispenser, and storage bin components.

Specifications

Operating Limits:

- Ambient Temperature Range: 35° to 110°F (1.6° to 43.4°C)
- Water Temperature Range: 35° to 90°F (0.6° to 32.2°C)
- Water Pressure Ice Maker Water In:
 - Min. 20 psi (137.9 kPa)
 - Max. 80 psi (551.1 kPa)

BTU Per Hour:

- 40,000 (average)
- 46,000 (peak)

Compressor:

Nominal rating: 4.5 HP

Ice Machine Electric

115/60/1 standard. 230/50/1 also available.

Minimum circuit ampacity: 2.0

Maximum fuse size: 15 amps

HACR-type circuit breakers can be used in place of fuses.

Ice Shape



Half Dice
 $\frac{3}{8}$ " x $1\frac{1}{8}$ " x $\frac{7}{8}$ "
 (.95 x 2.86 x 2.22 cm)



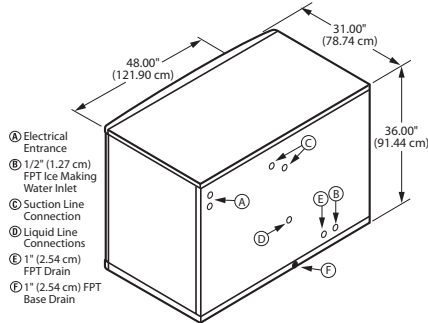
Dice
 $\frac{7}{8}$ " x $\frac{7}{8}$ " x $\frac{7}{8}$ "
 (2.22 x 2.22 x 2.22 cm)



COMPANY WITH
QUALITY SYSTEM



S-3070C Ice Machine



Shipping Weight: 423 lbs. / 192 kgs.

Installation Note: Recommended installation clearance—Top/sides 8" (20.3 cm), back: 24" (61 cm), although 24" (61 cm) is recommended on all sides. Bin drain—located in exact center of bin.

Accessories

- K-00391 Ice Deflectors (Set of 2)
- K-00395 Bin Thermostat
- NOTE: S-3070 not for use on B-970 Bin.

Space-Saving Designs

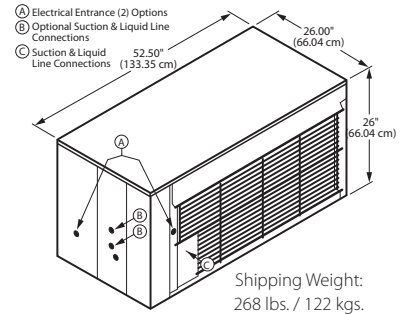


	S-3070C F-1300	S-3070C F-1325
Height	99.50" / 252.73 cm	90.50" / 229.87 cm
Width	48.00" / 121.92 cm	60.00" / 152.40 cm
Depth	31.00" / 78.74 cm	31.00" / 78.74 cm
Bin Storage	1,320 lbs. / 599 kgs.	1,325 lbs. / 601 kgs.

Height includes adjustable bin legs 6.00" to 8.00", (15.24 to 20.32 cm) set at 6.00" (15.24 cm).

*Depth at bin base, 39" including bin door.

CVD-3085 Remote Condensing Unit



Condensing Unit Electric

208-230/60/3 standard.
 380-415/50/3 also available.
 HACR-type circuit breakers can be used in place of fuses.
 Note: QuietQube ice machine is 115/60/1 and wired independent of CVD condensing unit.

Minimum circuit ampacity:

30 3ph

Maximum fuse size:

35 amps 3ph

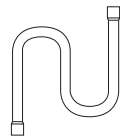
HACR-type circuit breakers can be used in place of fuses.

Operating Limits:

- Ambient Temperature Range: -20° to 120°F (-29° to 49°C)

Installation Information and Dimensions:

- Maximum Line Length —100' (30.5 m).*
- Maximum Vertical Rise* —35' (10.7 m) above ice machine.
- Maximum Vertical Drop —15' (4.5 m) below ice machine.
- *A rise over 20' (6 m) requires two S-Trap Kits K-00166 - ordered separately.



Standard Interconnecting Tubing

Model	Line Length		Weight	
	ft.	m.	lbs.	kgs.
RC-24	20	6.1	37	17
RC-34	30	9.2	47	21
RC-54	50	15.2	73	33

Remote Air-cooled Ice Machine

Model	Ice Shape	Ice Production 24 Hours		Power kWh/100 lbs. @ 90°Air/70°F		Water Usage/100 lbs. 45.4 kgs. of Ice		ENERGY STAR [®]
		70°Air/50°F Water	90°Air/70°F Water	3 ph	CEE† Tier	Potable Water	CEE† Tier	
SD-3072C	dice	2,850 lbs.	2,350 lbs.	4.64	2	19.7 gal.	3	
		1,293 kgs.	1,066 kgs.			75 L.		
SY-3074C	half-dice	2,910 lbs.	2,420 lbs.	4.51	3	19.7 gal.	3	
		1,320 kgs.	1,098 kgs.			75 L.		

Order ice storage bin separately.

†Consortium for Energy Efficiency (CEE) is a North American nonprofit organization that promotes energy-efficient products, technologies and services; also the principal entity for the development of ice maker efficiency standards.